



R.R.SENSORS & SYSTEMS

WEB TENSION LOAD CELL

SPECIAL FEATURES

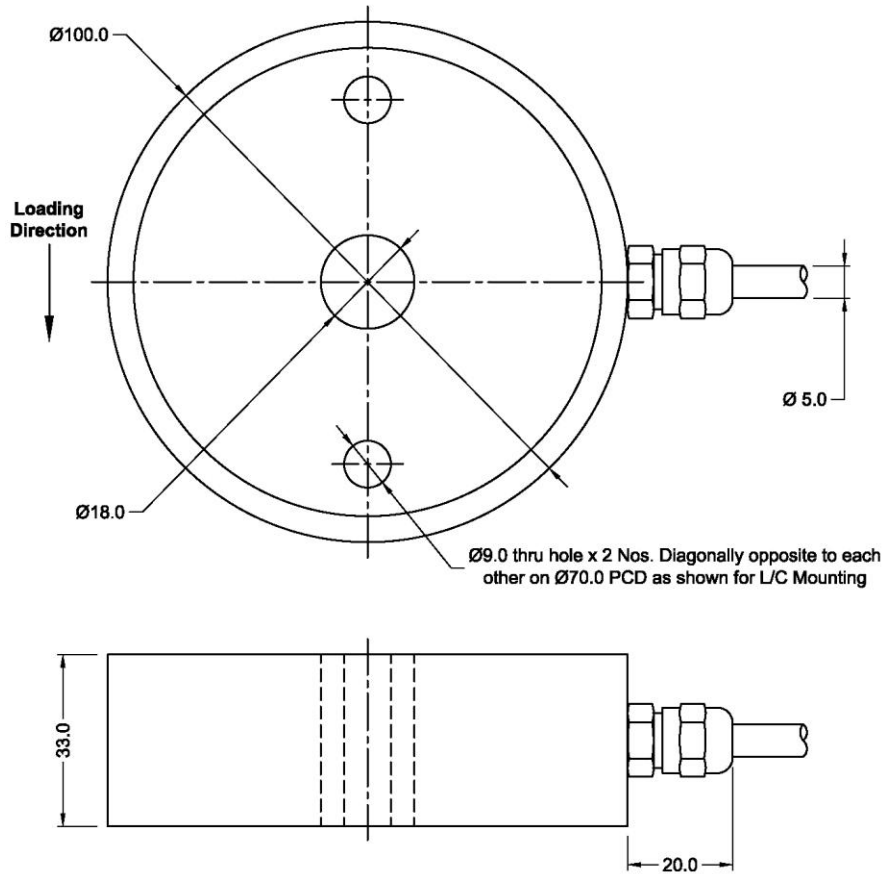
- ✂ *Easy to Install*
- ✂ *Good Reliability*
- ✂ *Temperature Compensated*



SPECIFICATION

Model	:	LWT - 11, 21, 51, 12.
Rated Load Capacity	:	10, 20, 50, 100 Kgs.
Rated Output Sensitivity	:	1 mV/V \pm 0.25 %.
Input Resistance	:	350 \pm 10 Ohms.
Output Resistance	:	350 \pm 3 Ohms.
Excitation Voltage	:	10 to 12 Volts DC/AC (RMS).
Non Linearity	:	\pm 0.50 % of Rated Output.
Hysteresis	:	\pm 0.50 % of Rated Output.
Non Repeatability	:	\pm 0.10 % of Rated Output.
Zero Balance	:	2 % of Rated Output.
Operatable Temperature Range	:	0°C to 65° C.
Storage Temperature Range	:	- 20° C to 85° C.
Temperature Effect on Zero	:	0.005 % of Rated Output/°C.
Temperature Effect on Output	:	0.010 % of Rated Output/°C.
Over Load Rating, Safe	:	150 % of Rated Capacity.
Over Load Rating (Ultimate)	:	200 % of Rated Capacity.

NOTE : For Other Models And Capacities Please Contact Us.



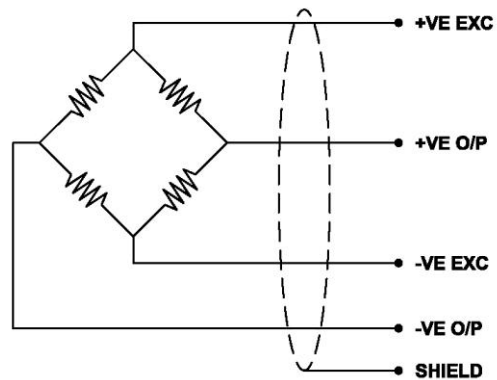
NOTE : The Roller Shaft Dia should be 17.0 mm bearing fit to suit ID of SKF - 6203 Bearing

CONNECTION DETAILS

COLOUR	CONNECTION
RED	+ VE EXCITATION
WHITE	+ VE OUTPUT
BLACK	- VE EXCITATION
GREEN	- VE OUTPUT
BROWN	SHIELD

- ALSO AVAILABLE SUITABLE FOR OTHER SHAFT DIAMETERS IN DIFFERENT CAPACITIES FOR DETAILS PLEASE CONTACT US

ELECTRICAL INFORMATION



Please Communicate to :



R.R.SENSORS & SYSTEMS

Factory : # 17, BHADRAPPA ESTATE, MAGADI MAIN ROAD, KAMAKSHIPALYA, BANGALORE - 560079.

☎ : 080 - 23281697, E - mail : rrsensors@yahoo.com, sales@rrsensorsandsystems.com .