



R.R.SENSORS & SYSTEMS.

'S' BEAM LOAD CELL

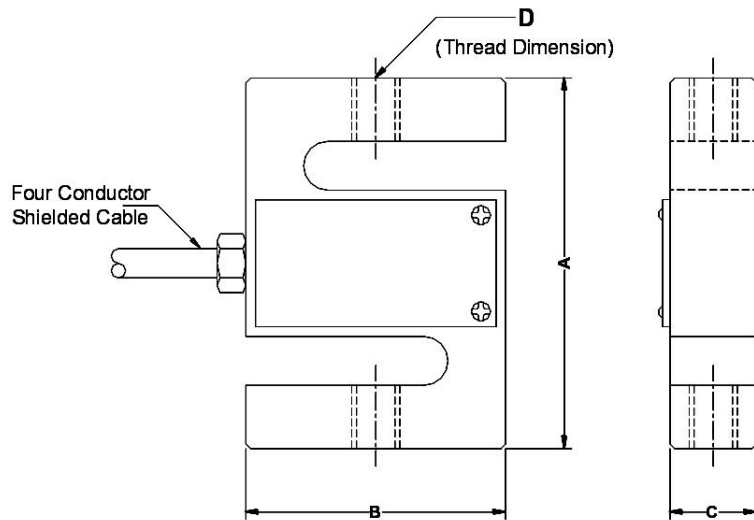
SPECIAL FEATURES

- ✎ *Good Linearity*
- ✎ *Good Repeatability*
- ✎ *Easy to Install*
- ✎ *Temp Compensated*
- ✎ *Wide Range*
- ✎ *Good Reliability*

SPECIFICATION

MODEL	:	LSZ - 21, LSZ - 51, LSZ - 12, LSZ - 22, LSZ - 32, LSZ - 52, LSZ - 751.
Rated Load Capacity	:	20, 50, 100, 200, 300, 500 & 750 Kgs.
Rated Output Sensitivity	:	2 mV/V \pm 0.3%.
Input Resistance	:	350 \pm 10 Ohms.
Output Resistance	:	350 \pm 5 Ohms.
Excitation Voltage	:	10 to 15 Volts DC/AC (RMS).
Non Linearity	:	\pm 0.025% of Rated Output.
Hysteresis	:	\pm 0.025 % of Rated Output.
Creep	:	0.1 % of Rated Output.
Non Repeatability	:	\pm 0.05% of Rated Output.
Zero Balance	:	2% of Rated Output.
Operatable Temperature Range	:	- 20° C to 65° C.
Compensated Temperature Range	:	0° C to 55° C.
Temperature Effect on Zero	:	0.005% of Rated Output/° C.
Temperature Effect on Output	:	0.005% of Rated Output/° C.
Over Load Rating, Safe	:	150% of Rated Capacity.
Over Load Rating (Ultimate)	:	200% of Rated Capacity.

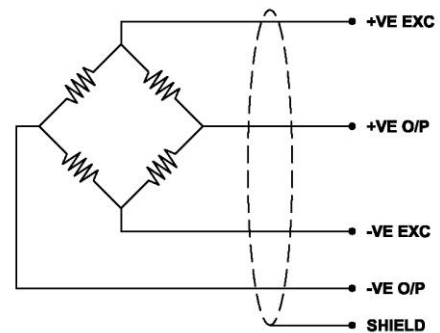
CAPACITY	A	B	C	D
20 Kg	76	54	13	M 8 X 1.25 P
50 to 750 Kg	76	54	18	M 10 X 1.5 P



CONNECTION DETAILS

INPUT	OUTPUT
RED + VE	WHITE / YELLOW + VE
BLACK - VE	GREEN / BLUE - VE

ELECTRICAL INFORMATION



ORDERING INFORMATION : Specify Capacity, Model & Quantity.

CAPACITY	MODEL	QTY

ACCESSORIES : Customer Service such as matched load cell outputs, special threading and custom calibration are available as an option at extra cost.

* Prices and Specifications subject to change without notice.

Please Communicate to :



R.R.SENSORS & SYSTEMS.

Factory : # 17, BHADRAPPA ESTATE, MAGADI MAIN ROAD, KAMAKSHIPALYA, BANGALORE - 560079.

☎ : 080 - 23281697, E - mail : rrsensors@yahoo.com, sales@rrsensorsandsystems.com .