



R.R.SENSORS & SYSTEMS

S'TYPE SHEAR BEAM LOAD CELL

(ECONOMY MODEL LOAD CELL)

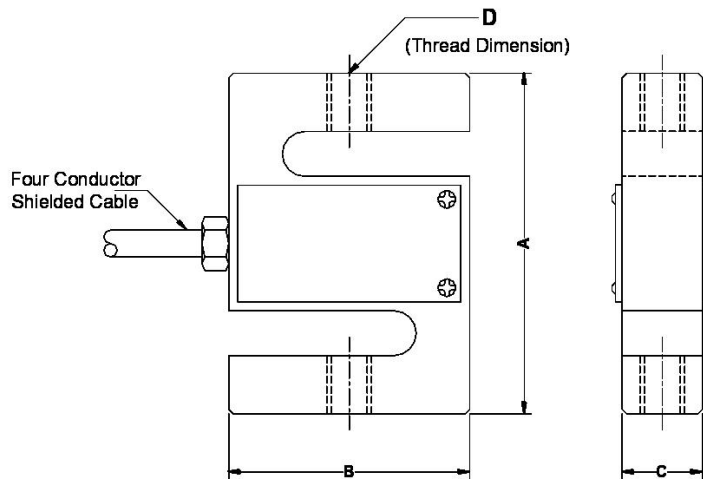
SPECIAL FEATURES

- ✎ *Good Linearity*
- ✎ *Good Repeatability*
- ✎ *Easy to Install*
- ✎ *Temp Compensated*
- ✎ *Wide Range*
- ✎ *Good Reliability*

SPECIFICATION

| | | |
|-------------------------------|---|--|
| MODEL | : | LSU – 13 , LSU – 152 LSU – 23 , LSU – 252 . |
| Rated Load Capacity | : | 1000, 1500, 2000, 2500 Kgs. |
| Rated Output Sensitivity | : | 2 mV/V \pm 0.3%. |
| Input Resistance | : | 350 \pm 10 Ohms. |
| Output Resistance | : | 350 \pm 5 Ohms. |
| Excitation Voltage | : | 10 to 15 Volts DC/AC (RMS). |
| Non Linearity | : | \pm 0.075% of Rated Output. |
| Hysteresis | : | 0.1 % of Rated Output. |
| Creep | : | 0.1 % of Rated Output. |
| Non Repeatability | : | \pm 0.05% of Rated Output. |
| Zero Balance | : | 2% of Rated Output. |
| Operatable Temperature Range | : | - 20°C to 65° C. |
| Compensated Temperature Range | : | 0° C to 55° C. |
| Temperature Effect on Zero | : | 0.005% of Rated Output/°C. |
| Temperature Effect on Output | : | 0.005% of Rated Output/°C. |
| Over Load Rating, Safe | : | 150% of Rated Capacity. |
| Over Load Rating (Ultimate) | : | 200% of Rated Capacity. |

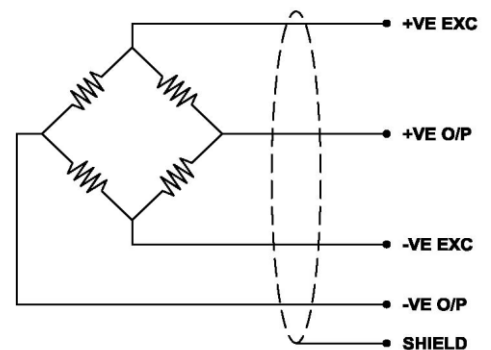
| CAPACITY | A | B | C | D |
|-----------------|------|------|------|------------|
| 1000 to 2500 Kg | 98.0 | 74.0 | 30.0 | M 16 X 2 P |



CONNECTION DETAILS

| INPUT | OUTPUT |
|------------|---------------------|
| RED + VE | WHITE / YELLOW + VE |
| BLACK - VE | GREEN / BLUE - VE |

ELECTRICAL INFORMATION



ORDERING INFORMATION : Specify Capacity, Model & Quantity.

| CAPACITY | MODEL | QTY |
|----------|-------|-----|
| | | |

ACCESSORIES : Customer Service such as matched load cell outputs, special threading and custom calibration are available as an option at extra cost.

* Prices and Specifications subject to change without notice.

Please Communicate to :



R.R.SENSORS & SYSTEMS

Factory : # 17, BHADRAPP A ESTATE, MAGADI MAIN ROAD, KAMAKSHIPALYA, BANGALORE - 560079.

☎ : 080 - 23281697, E - mail : rrsensors@yahoo.com, sales@rrsensorsandsystems.com .