



# R.R.SENSORS & SYSTEMS.

## PEDAL FORCE LOAD CELL

### SPECIAL FEATURES

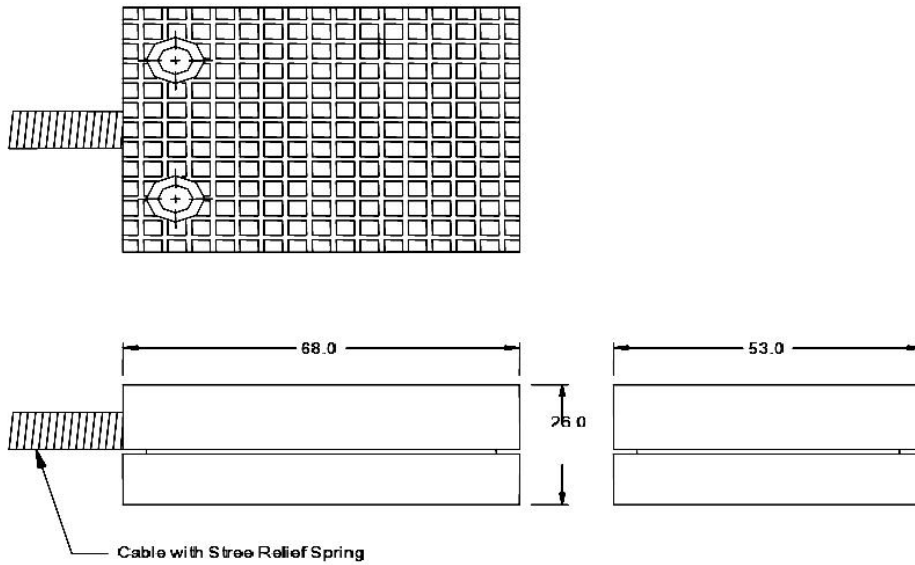
- ✎ *Strap on Fixing*
- ✎ *Good Reliability*
- ✎ *Temperature Compensated*



### SPECIFICATION

Model	:	LPD - 251.
Rated Load Capacity	:	250 Kgs.
Rated Output Sensitivity	:	1 mV/V $\pm$ 0.25 %.
Input Resistance	:	350 $\pm$ 10 Ohms.
Output Resistance	:	350 $\pm$ 3 Ohms.
Excitation Voltage	:	5 Volts DC.
Non Linearity	:	$\pm$ 0.50 % of Rated Output.
Hysteresis	:	$\pm$ 0.50 % of Rated Output.
Non Repeatability	:	$\pm$ 0.10 % of Rated Output.
Zero Balance	:	2 % of Rated Output.
Operatable Temperature Range	:	0°C to 65° C.
Storage Temperature Range	:	- 20° C to 85° C.
Temperature Effect on Zero	:	0.005 % of Rated Output/°C.
Temperature Effect on Output	:	0.010 % of Rated Output/°C.
Over Load Rating, Safe	:	150 % of Rated Capacity.
Over Load Rating (Ultimate)	:	200 % of Rated Capacity.

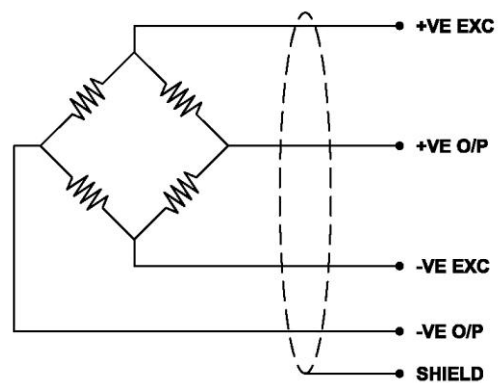
Dimensions : \_\_\_\_\_



### CONNECTION DETAILS

COLOUR	CONNECTION
RED	+ VE EXCITATION
WHITE	+ VE OUTPUT
BLACK	- VE EXCITATION
GREEN	- VE OUTPUT
BROWN	SHIELD

### ELECTRICAL INFORMATION



Please Communicate to :



## **R.R.SENSORS & SYSTEMS.**

Factory : # 17, BHADRAPP A ESTATE, MAGADI MAIN ROAD, KAMAKSHIPALYA, BANGALORE - 560079.

☎ : 080 - 23281697, E - mail : [rrsensors@yahoo.com](mailto:rrsensors@yahoo.com), [sales@rrsensorsandsystems.com](mailto:sales@rrsensorsandsystems.com) .