



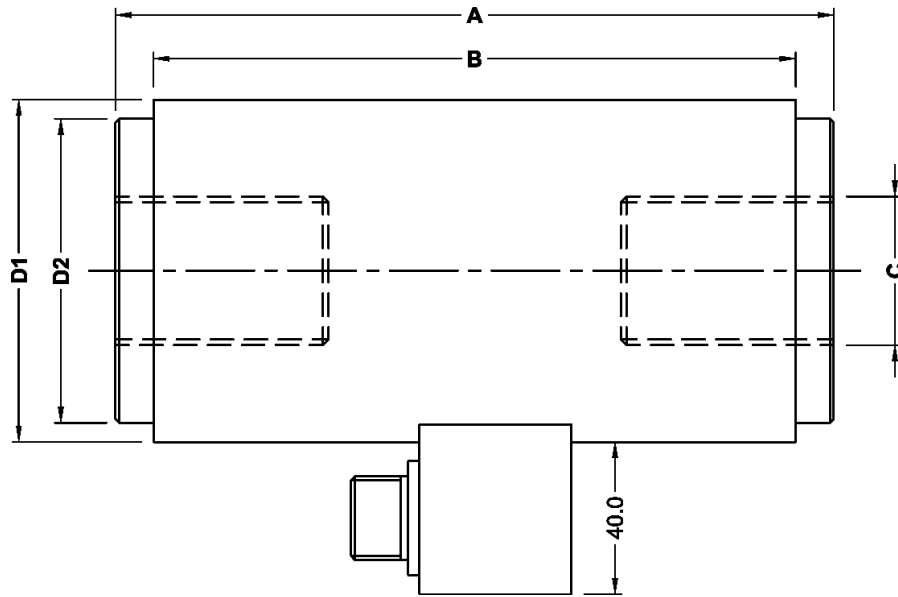
R.R.SENSORS & SYSTEMS.

UNIVERSAL LOAD CELL

**OFFER INNOVATION TOWARDS
ELECTRONIC FORCE MEASUREMENT**

SPECIFICATION

MODEL	:	LUW – 14, LUW – 153, LUW – 24, LUW – 253, LUW – 34, LUW – 44, LUW – 54.
Rated Load Capacity	:	10, 15, 20, 25, 30, 40, 50 TONNE.
Rated Output Sensitivity	:	1 mV/V \pm 0.3%.
Input Resistance	:	350 \pm 10 Ohms.
Output Resistance	:	350 \pm 5 Ohms.
Insulation Resistance	:	> 1000 Mega Ohms.
Humidity Rating	:	MAX 95% RH.
Excitation Voltage	:	10 to 15 Volts DC/AC (RMS).
Non Linearity	:	\pm 0.2% of Rated Output.
Hysteresis	:	0.2 % of Rated Output.
Creep	:	0.1 % of Rated Output.
Non Repeatability	:	\pm 0.05% of Rated Output.
Zero Balance	:	2% of Rated Output.
Operable Temperature Range	:	- 20°C to 65° C.
Compensated Temperature Range	:	0° C to 55° C.
Temperature Effect on Zero	:	0.002% of Rated Output/°C.
Temperature Effect on Output	:	0.001% of Rated Output/°C.
Over Load Rating, Safe	:	150% of Rated Capacity.
Over Load Rating (Ultimate)	:	200% of Rated Capacity.

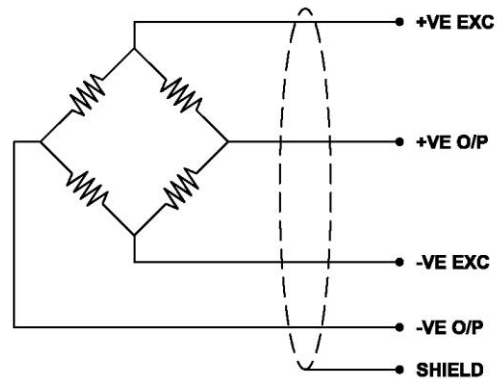


Capacity	A	B	C	D1	D2
10 Tonne	160.0	140.0	M 30 x 2 Pitch	Ø 73.0	Ø 65.0
15 & 20 Tonne	170.0	150.0	M 36 x 3 Pitch	Ø 86.0	Ø 76.0
25 & 30 Tonne	210.0	190.0	M 45 x 3 Pitch	Ø 105.0	Ø 95.0
40 Tonne	245.0	220.0	M 52 x 3 Pitch	Ø 115.0	Ø 105.0
50 Tonne	280.0	255.0	M 60 x 4 Pitch	Ø 138.0	Ø 125.0

CONNECTION DETAILS

INPUT	OUTPUT
RED + VE	WHITE + VE
BLACK - VE	GREEN - VE

ELECTRICAL INFORMATION



Please Communicate to :



R.R.SENSORS & SYSTEMS.

Factory : # 17, BHADRAPPA ESTATE, MAGADI MAIN ROAD, KAMAKSHIPALYA, BANGALORE - 560079.

☎ : 080 - 23281697, E - mail : rrsensors@yahoo.com, sales@rrsensorsandsystems.com .