



# R.R.SENSORS & SYSTEMS

## LCU - LOAD CELL

### SPECIAL FEATURES

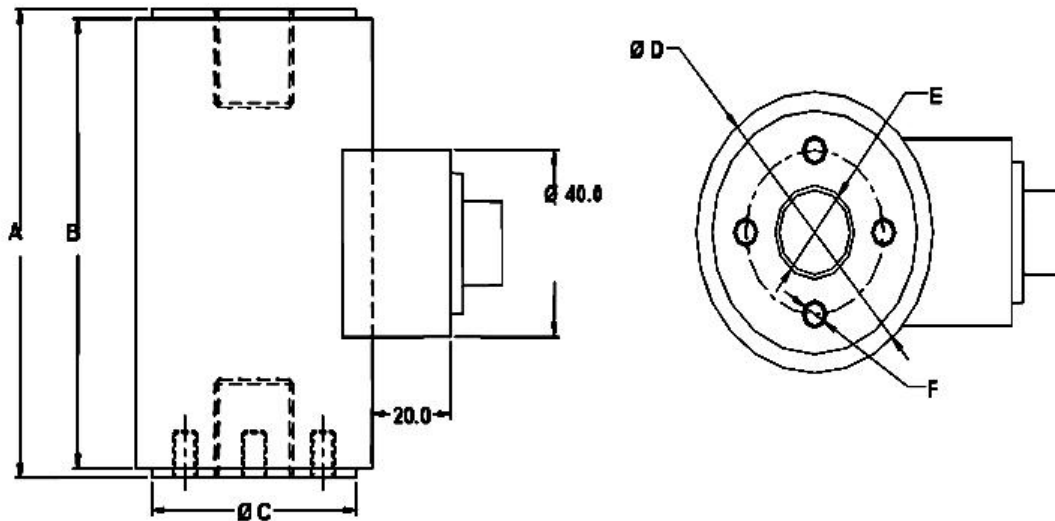
- ✘ *Good Linearity*
- ✘ *Good Repeatability*
- ✘ *Easy to Install*
- ✘ *Temp Compensated*
- ✘ *Wide Range*
- ✘ *Good Reliability*



### SPECIFICATION

MODEL	:	LCU - 23, 33, 53, 83.
Rated Load Capacity	:	2,3,,5,8. TONNES.
Rated Output Sensitivity	:	1 mV/V $\pm$ 0.3%.
Input Resistance	:	350 $\pm$ 10 Ohms.
Output Resistance	:	350 $\pm$ 5 Ohms.
Excitation Voltage	:	10 to 15 Volts DC/AC (RMS).
Non Linearity	:	$\pm$ 0.1 % of Rated Output.
Hysteresis	:	$\pm$ 0.1 % of Rated Output.
Creep	:	$\pm$ 0.1 % of Rated Output.
Non Repeatability	:	$\pm$ 0.05% of Rated Output.
Zero Balance	:	5 % of Rated Output.
Compensated Temperature Range	:	-5° C to 55° C.
Temperature Effect on Zero	:	0.005% of Rated Output/°C.
Temperature Effect on Output	:	0.005% of Rated Output/°C.
Over Load Rating, Safe	:	150% of Rated Capacity.
Over Load Rating (Ultimate)	:	200% of Rated Capacity.

**DIMENSIONS : -**

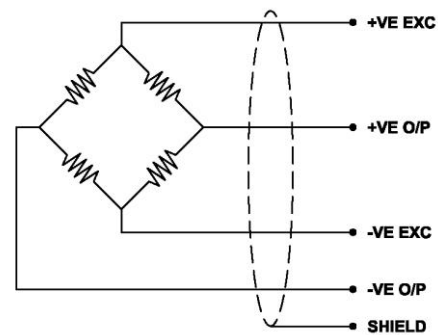


CAPACITY	A	B	Ø C	Ø D	E	F
2 TONNE	100.0	96.0	52.	60.0	M16 X 2 P X 17	M10XSTD THRD X 15 DEEP X 4# ON 35 PCD
3, 5, 8 TON	130.0	124.0	66.	75.0	M 24 X 2 P X 30 DEEP	M 6 X STD THRD X 12 DEEP X 4# ON 45 PCD

**CONNECTION DETAILS**

INPUT	OUTPUT
RED + VE	WHITE + VE
BLACK - VE	GREEN - VE

**ELECTRICAL INFORMATION**



Please Communicate to :



**R.R.SENSORS & SYSTEMS.**

Factory : # 17, BHADRAPPA ESTATE, MAGADI MAIN ROAD, KAMAKSHIPALYA, BANGALORE - 560079.

☎ : 080 - 23281697, E - mail : [rrsensors@yahoo.com](mailto:rrsensors@yahoo.com), [sales@rrsensorsandsystems.com](mailto:sales@rrsensorsandsystems.com) .