



R.R.SENSORS & SYSTEMS

SI-426-D LOAD CELL

SPECIAL FEATURES

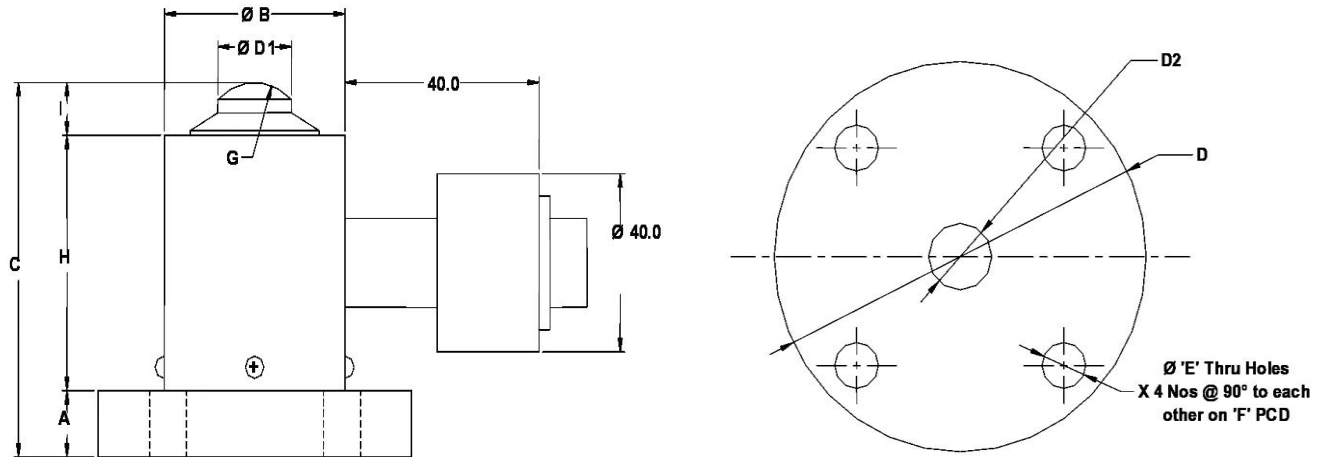
- ✘ **Good Linearity**
- ✘ **Good Repeatability**
- ✘ **Easy to Install**
- ✘ **Temp Compensated**
- ✘ **Wide Range**
- ✘ **Good Reliability**



SPECIFICATION

MODEL	:	SI - 426 - D.
Rated Load Capacity	:	2,3,4,5,10,20,50,100. TONNES.
Rated Output Sensitivity	:	1 mV/V \pm 0.3%.
Input Resistance	:	350 \pm 10 Ohms.
Output Resistance	:	350 \pm 5 Ohms.
Excitation Voltage	:	10 to 15 Volts DC/AC (RMS).
Non Linearity	:	\pm 0.1 % of Rated Output.
Hysteresis	:	\pm 0.1 % of Rated Output.
Creep	:	\pm 0.1 % of Rated Output.
Non Repeatability	:	\pm 0.05% of Rated Output.
Zero Balance	:	5 % of Rated Output.
Compensated Temperature Range	:	-5° C to 55° C.
Temperature Effect on Zero	:	0.005% of Rated Output/°C.
Temperature Effect on Output	:	0.005% of Rated Output/°C.
Over Load Rating, Safe	:	150% of Rated Capacity.
Over Load Rating (Ultimate)	:	200% of Rated Capacity.

DIMENSIONS : -



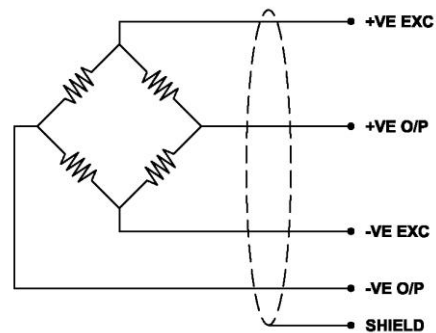
BOTTOM VIEW

CAPACITY	A	B	C	D	D1	E	F	G	H	I	D2
2 TONNE	10	38	60	66	12.5	8.5	54	R15	41.5	8.5	16.5
3 TONNE	12	38	60	66	15	8.5	54	R18	39.5	8.5	14.4
4 TONNE	12	38	60	66	20	8.5	54	R24	39.5	8.5	11.8
5 TONNE	12	38	60	66	20	8.5	54	R24	39.5	8.5	8.3
10 TONNE	15	60	90	95	30	11	80	R30	61	14	NA
20 TONNE	15	65	90	100	40	11	85	R40	59.5	15.5	NA
50 TONNE	25	95	120	140	65	13	120	R65	66.5	28.5	NA
100 TONNE	35	128	155	180	95	13	155	R95	82.5	37.5	NA

ELECTRICAL INFORMATION

CONNECTION DETAILS

INPUT	OUTPUT
RED + VE	WHITE + VE
BLACK - VE	GREEN - VE



Please Communicate to :



R.R.SENSORS & SYSTEMS

Factory : # 17, BHADRAPP A ESTATE, MAGADI MAIN ROAD, KAMAKSHIPALYA, BANGALORE - 560079.

☎ : 080 - 23281697, E - mail : rrsensors@yahoo.com, sales@rrsensorsandsystems.com .