

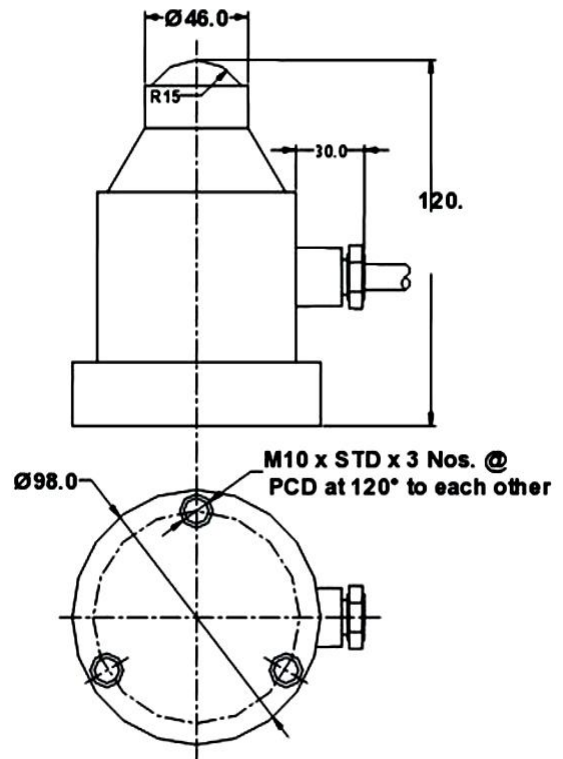
COMPRESSION LOAD CELL - MODEL : LCC

- ❖ *High Performance*
- ❖ *Good Reliability*
- ❖ *High Precision*
- ❖ *Easy to Install*
- ❖ *Rugged Body*
- ❖ *Wide Range*



SPECIFICATIONS

Rated Capacity	7, 10, 15, 20, 30, 40 Tonne
Output Sensitivity	1 mV/V \pm 0.5 %
Input Resistance	350 \pm 10 Ohms
Output Resistance	350 \pm 5 Ohms
Excitation Voltage	10 to 15 Volts DC
Non Linearity	\pm 0.1 %
Hysteresis	\pm 0.1 %
Creep	0.05 %
Non Repeatability	\pm 0.1 %
Zero Balance	\pm 5 % of Rated Output
Compensated Temp. Range	- 5 $^{\circ}$ C to 55 $^{\circ}$ C
Temp. effect on Zero	\pm 0.01 %/ $^{\circ}$ C Rated Output
Temp. effect on Output	\pm 0.01 %/ $^{\circ}$ C Rated Output
Safe Over Load	150 % of Rated Load
Ultimate Over Load	200 % of Rated Load
Insulation Resistance	500 Meg Ohms at 25 $^{\circ}$ C
Max. side Load Allowed	1 % of Rated Load
Protection Class	IP - 66



Please Communicate to :



R.R.SENSORS & SYSTEMS.

Factory : # 17, BHADRAPPA ESTATE, MAGADI MAIN ROAD, KAMAKSHIPALYA, BANGALORE - 560079.

☎ : 080 - 23281697, E - mail : rrsensors@yahoo.com, sales@rrsensorsandsystems.com .