

# CANTILEVER LOAD CELL - MODEL : LDL

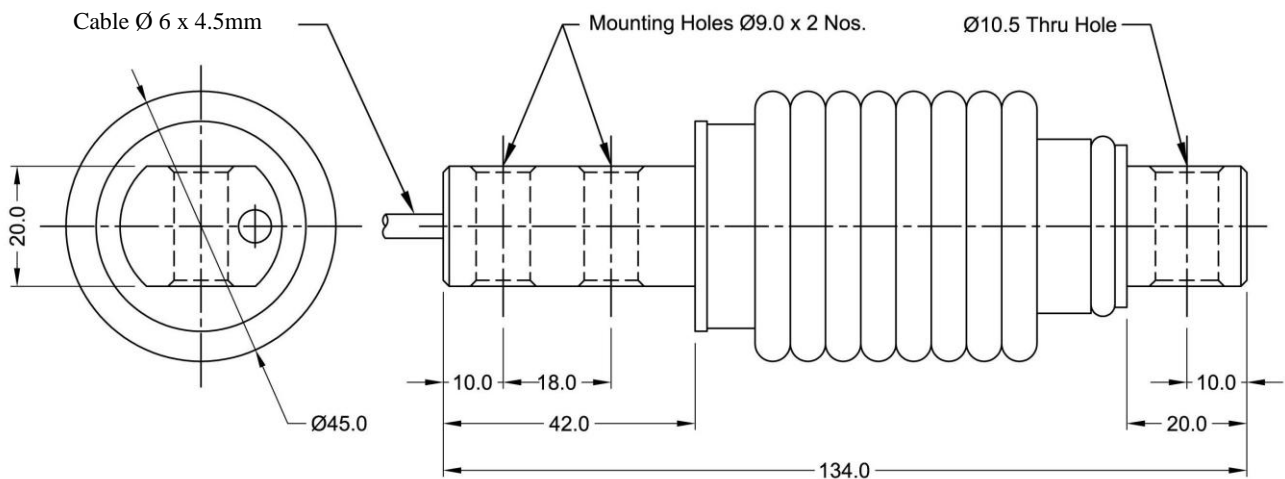
- ❖ *Good Linearity*
- ❖ *Good Repeatability*
- ❖ *Easy to Install*
- ❖ *Temp Compensated*
- ❖ *Wide Range*
- ❖ *Good Reliability*



## SPECIFICATIONS

Rated Capacity	5, 10, 20, 30, 50, 100, 150, 200 Kgs		
Output Sensitivity	2 mV/V $\pm$ 0.25 %	Non Repeatability	$\pm$ 0.05 %
Input Resistance	350 $\pm$ 10 Ohms	Zero Balance	$\pm$ 2.0 %
Output Resistance	350 $\pm$ 5 Ohms	Compensated Temp. Range	- 20° C to 65° C
Excitation Voltage	10 to 15 Volts DC	Temp. effect on Zero	$\pm$ 0.005 % / ° C
Non Linearity	$\pm$ 0.025 %	Temp. effect on Output	$\pm$ 0.005 % / ° C
Hysteresis	$\pm$ 0.025 %	Safe Over Load	150 %
Creep	0.025 %	Protection Class	IP - 66

## Dimensions :



Please Communicate to :



## R.R.SENSORS & SYSTEMS.

Factory : # 17, BHADRAPPA ESTATE, MAGADI MAIN ROAD, KAMAKSHIPALYA, BANGALORE - 560079.

☎ : 080 - 23281697, E - mail : [rrsensors@yahoo.com](mailto:rrsensors@yahoo.com), [sales@rrsensorsandsystems.com](mailto:sales@rrsensorsandsystems.com) .