



R.R.SENSORS & SYSTEMS.

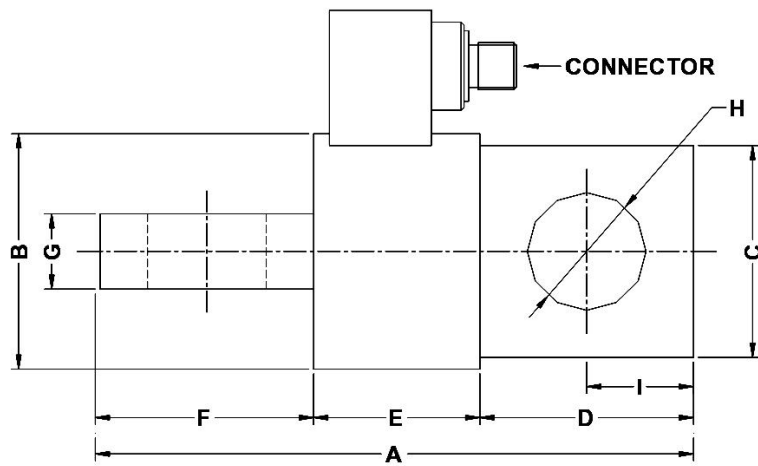
TENSION LOAD CELL

SPECIAL FEATURES

- HIGH ACCURACY
- GOOD RELIABILITY
- ULTRA – PRECISION
- EXCELLENT
- ECONOMY
- EASILY INSTALLED
- HIGH REPEATABILITY

SPECIFICATION

MODEL	:	LTK-33, LTK-53, LTK-14, LTK-24, LTK-44.
Rated Load Capacity	:	0 – 3, 5, 10, 20, 40 TONNES.
Rated Output Sensitivity	:	1 mV/V \pm 0.5%.
Input Resistance	:	350 \pm 10 Ohms.
Output Resistance	:	350 \pm 5 Ohms.
Insulation Resistance	:	> 1000 Mega Ohms.
Humidity Rating	:	MAX 95% RH.
Excitation Voltage	:	10 to 15 Volts DC/AC (RMS).
Non Linearity	:	\pm 0.1 % of Rated Output.
Hysteresis	:	\pm 0.1 % of Rated Output.
Creep	:	\pm 0.1 % of Rated Output.
Non Repeatability	:	\pm 0.1 % of Rated Output.
Zero Balance	:	\pm 5 % of Rated Output.
Operatable Temperature Range	:	- 20°C to 65° C.
Compensated Temperature Range	:	0° C to 55° C.
Temperature Effect on Zero	:	0.01 % of Rated Output/°C.
Temperature Effect on Output	:	0.01 % of Rated Output/°C.
Over Load Rating, Safe	:	150 % of Rated Capacity.
Over Load Rating (Ultimate)	:	200 % of Rated Capacity.
Maximum Side Load Allowed	:	1 % of Rated Capacity.

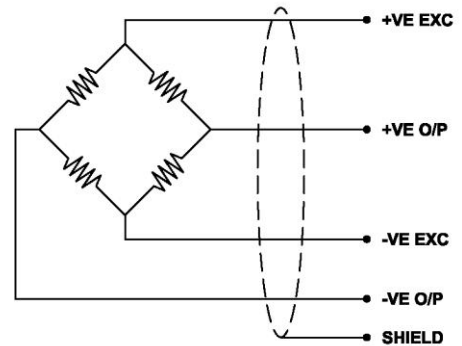


MODEL	A	B	C	D	E	F	G	H	I
LTK-33, LTK-53.	210	Ø72	65	65	80	65	22	Ø32	32
LTK-14, LTK-24, LTK-44.	350	Ø145	135	135	80	135	40	Ø75	67.5

CONNECTION DETAILS

PIN	CONNECTION
A	+ VE EXCITATION
B	+ VE OUTPUT
C	- VE EXCITATION
D	- VE OUTPUT
E	
F	

ELECTRICAL INFORMATION



ORDERING INFORMATION : Specify Capacity, Model & Quantity.

CAPACITY	MODEL	QTY

ACCESSORIES : Customer Service such as matched load cell outputs, special threading and custom calibration are available on an optional at an extra cost.
Prices and Specifications subject to change without notice.

Please Communicate to :



R.R.SENSORS & SYSTEMS.

Factory : # 17, BHADRAPPA ESTATE, MAGADI MAIN ROAD, KAMAKSHIPALYA, BANGALORE - 560079.

☎ : 080 - 23281697, E - mail : rrsensors@yahoo.com, sales@rrsensorsandsystems.com ..