



R.R.SENSORS & SYSTEMS.

LOAD PIN

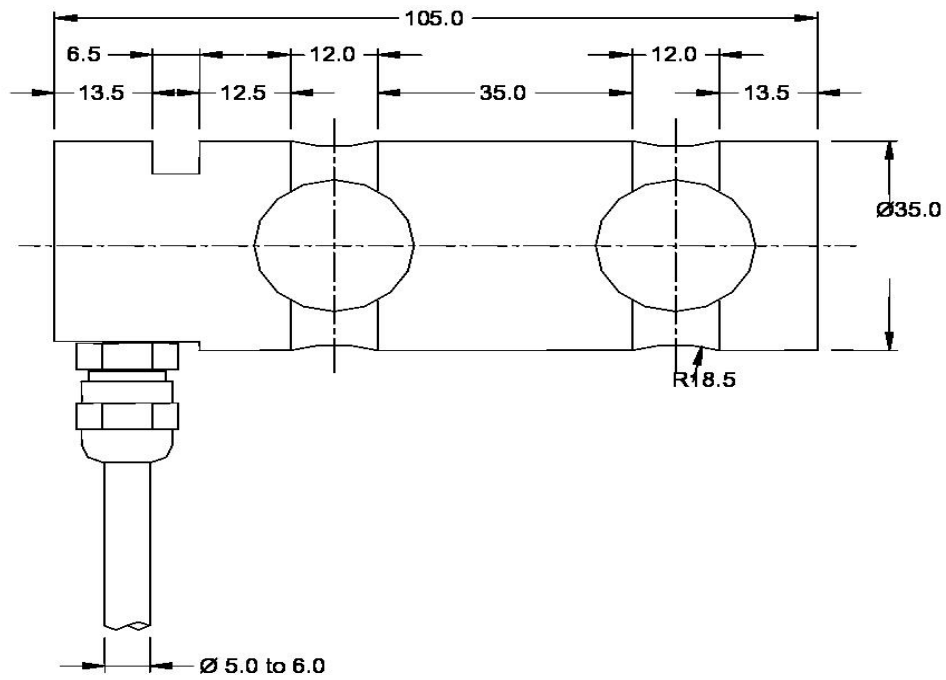
SPECIAL FEATURES

- ✘ **Good Linearity**
- ✘ **Good Repeatability**
- ✘ **Easy to Install**
- ✘ **Temp Compensated**
- ✘ **Wide Range**
- ✘ **Good Reliability**

SPECIFICATION

MODEL	:	DLP - 23,33,53.
Rated Load Capacity	:	2 ,3, 5 TONNES.
Rated Output Sensitivity	:	1 mV/V \pm 0.3%.
Input Resistance	:	350 \pm 10 Ohms.
Output Resistance	:	350 \pm 5 Ohms.
Excitation Voltage	:	10 to 15 Volts DC/AC (RMS).
Non Linearity	:	\pm 0.5 % of Rated Output.
Hysteresis	:	\pm 0.5 % of Rated Output.
Creep	:	\pm 0.1 % of Rated Output.
Non Repeatability	:	\pm 0.05% of Rated Output.
Zero Balance	:	2 % of Rated Output.
Operatable Temperature Range	:	- 20° C to 65° C.
Compensated Temperature Range	:	0° C to 55° C.
Temperature Effect on Zero	:	0.005% of Rated Output/°C.
Temperature Effect on Output	:	0.005% of Rated Output/°C.
Over Load Rating, Safe	:	150% of Rated Capacity.
Over Load Rating (Ultimate)	:	200% of Rated Capacity.

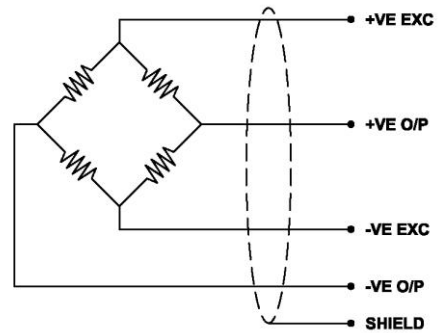
DIMENSIONS : -



CONNECTION DETAILS

INPUT	OUTPUT
RED + VE	WHITE + VE
BLACK - VE	GREEN - VE

ELECTRICAL INFORMATION



Please Communicate to :



R.R.SENSORS & SYSTEMS.

Factory : # 17, BHADRAPP A ESTATE, MAGADI MAIN ROAD, KAMAKSHIPALYA, BANGALORE - 560079.

☎ : 080 - 23281697, E - mail : rrsensors@yahoo.com, sales@rrsensorsandsystems.com .