



R.R.SENSORS & SYSTEMS

SHEAR WEB LOAD CELL

SPECIAL FEATURES

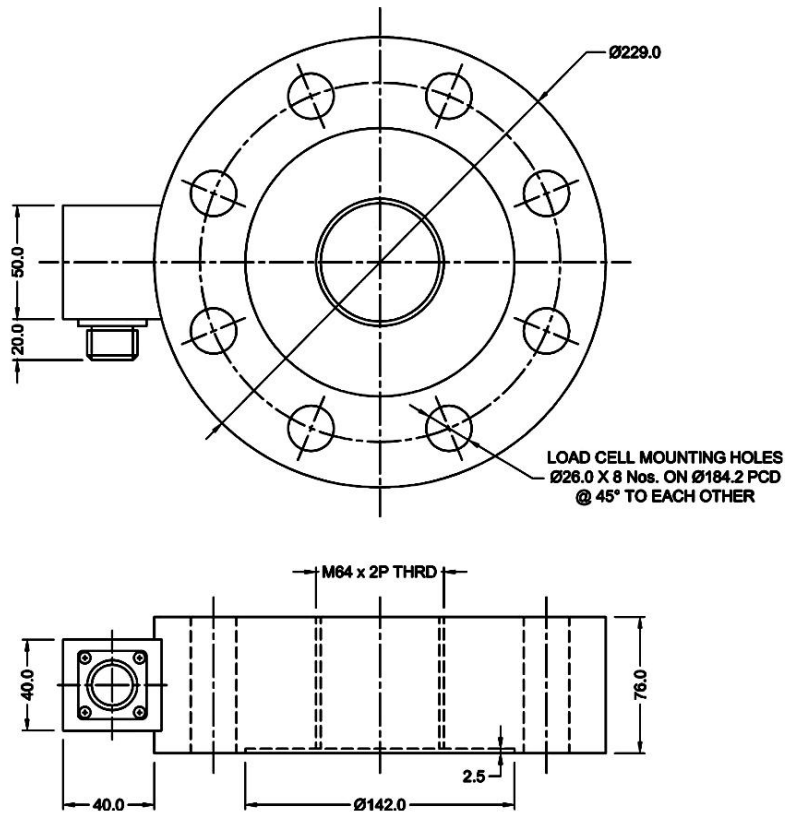
- ✘ *Good Linearity*
- ✘ *Good Repeatability*
- ✘ *Easy to Install*
- ✘ *Temp Compensated*
- ✘ *Wide Range*
- ✘ *Good Reliability*



SPECIFICATION

MODEL	:	LSE - 44, LSE - 54, LSE - 15.
Rated Load Capacity	:	40, 50, 100 TONNES.
Rated Output Sensitivity	:	2 mV/V \pm 0.3%.
Input Resistance	:	350 \pm 10 Ohms.
Output Resistance	:	350 \pm 5 Ohms.
Excitation Voltage	:	10 to 15 Volts DC/AC (RMS).
Non Linearity	:	\pm 0.1 % of Rated Output.
Hysteresis	:	\pm 0.1 % of Rated Output.
Creep	:	\pm 0.1 % of Rated Output.
Non Repeatability	:	\pm 0.05% of Rated Output.
Zero Balance	:	2 % of Rated Output.
Operatable Temperature Range	:	- 20° C to 65° C.
Compensated Temperature Range	:	0° C to 55° C.
Temperature Effect on Zero	:	0.005% of Rated Output/°C.
Temperature Effect on Output	:	0.005% of Rated Output/°C.
Over Load Rating, Safe	:	150% of Rated Capacity.
Over Load Rating (Ultimate)	:	200% of Rated Capacity.

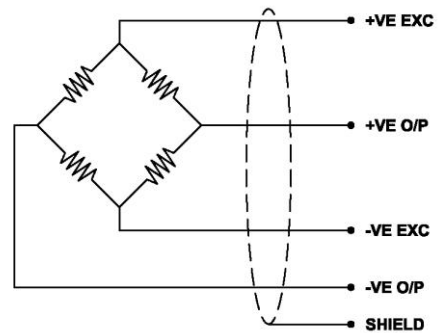
DIMENSIONS : -



CONNECTION DETAILS

INPUT	OUTPUT
RED + VE	WHITE + VE
BLACK - VE	GREEN - VE

ELECTRICAL INFORMATION



Please Communicate to :



R.R.SENSORS & SYSTEMS

Factory : # 17, BHADRAPP A ESTATE, MAGADI MAIN ROAD, KAMAKSHIPALYA, BANGALORE - 560079.

☎ : 080 - 23281697, E - mail : rrsensors@yahoo.com, sales@rrsensorsandsystems.com .