



# R.R.SENSORS & SYSTEMS.

## *SHEAR WEB LOAD CELL*

### SPECIAL FEATURES

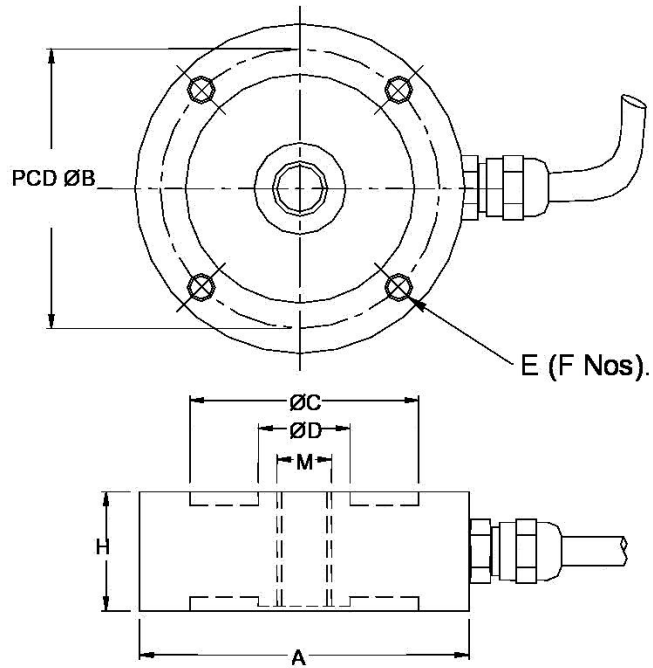
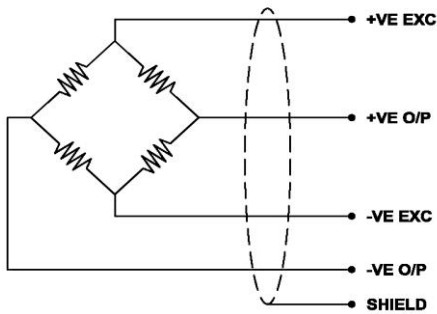
- |                             |                           |
|-----------------------------|---------------------------|
| <i>✎ Good Linearity</i>     | <i>✎ Temp Compensated</i> |
| <i>✎ Good Repeatability</i> | <i>✎ Wide Range</i>       |
| <i>✎ Easy to Install</i>    | <i>✎ Good Reliability</i> |

### SPECIFICATION

MODEL	:	LSE -13,23,33,53,14,153,24,253,34. (H2).
Rated Load Capacity	:	1 TON TO 30 TONS.
Rated Output Sensitivity	:	2 mV/V $\pm$ 0.3%.
Input Resistance	:	700 $\pm$ 10 Ohms.
Output Resistance	:	700 $\pm$ 5 Ohms.
Excitation Voltage	:	10 to 15 Volts DC/AC (RMS).
Non Linearity	:	$\pm$ 0.1% of Rated Output.
Hysteresis	:	0.1 % of Rated Output.
Creep	:	0.1 % of Rated Output.
Non Repeatability	:	$\pm$ 0.05% of Rated Output.
Zero Balance	:	2% of Rated Output.
Operatable Temperature Range	:	- 20° C to 65° C.
Compensated Temperature Range	:	0° C to 55° C.
Temperature Effect on Zero	:	0.005% of Rated Output/°C.
Temperature Effect on Output	:	0.005% of Rated Output/°C.
Over Load Rating, Safe	:	150% of Rated Capacity.
Over Load Rating (Ultimate)	:	200% of Rated Capacity.

COLOUR	CONNECTION
RED	+ VE EXCITATION
WHITE	+ VE OUTPUT
BLACK	- VE EXCITATION
GREEN	- VE OUTPUT
BROWN	SHIELD

**ELECTRICAL INFORMATION**



CAP	ØA	ØB	ØC	ØD	E	F	H	M	Cable
1-2.ton	72	63	54	20	M6 x 1	4	26	M12 x1.75	3m
3-5 ton	100	82	68	34	M12 x1.75	4	30	M24 x 2	3m
10 ton	120	98	78	42	M16 x 2	4	40	M30 x 2	6m
15-20 t	165	134	106	68	M24 x 3	4	55	M45 x 3	6m
25ton	165	134	106	68	M24 x 3	4	55	M45 x 3	6m
30 ton	165	134	106	68	M24 x 3	4	55	M45 x 3	6m

All Dimensions are in mm.

NOTE : ØD \* - OD OF INNER LOADING SURFACE  
ØC \*\* - ID OF OUTER LOADING SURFACE

Please Communicate to :



## R.R.SENSORS & SYSTEMS.

Factory : # 17, BHADRAPPA ESTATE, MAGADI MAIN ROAD, KAMAKSHIPALYA, BANGALORE - 560079.

☎ : 080 - 23281697, E - mail : [rrsensors@yahoo.com](mailto:rrsensors@yahoo.com), [sales@rrsensorsandsystems.com](mailto:sales@rrsensorsandsystems.com) .